

TECH CONFERENCE

DotNet 2020

#DotNet2020

NetCore & Microservices



ORGANIZATION

plain concepts 

PLATINUM SPONSORS



COLLABORATORS



Thank you!



Eduard Tomàs

Doing stuff with computers

Level 10 standard freak. I love videogames, **good** fantasy and sci-fi books and playing role games (*real* ones, you know with paper, stencils and strange dices). I also love programming and creating things using computers since I was a child and I started with BASIC on my Spectrum.

Right now I am focused in cloud-native architectures and Microsoft technologies. That means containers, Kubernetes, netcore, Azure,...

I am also a beer crafter and drinker, always ready to share a beer with everyone!

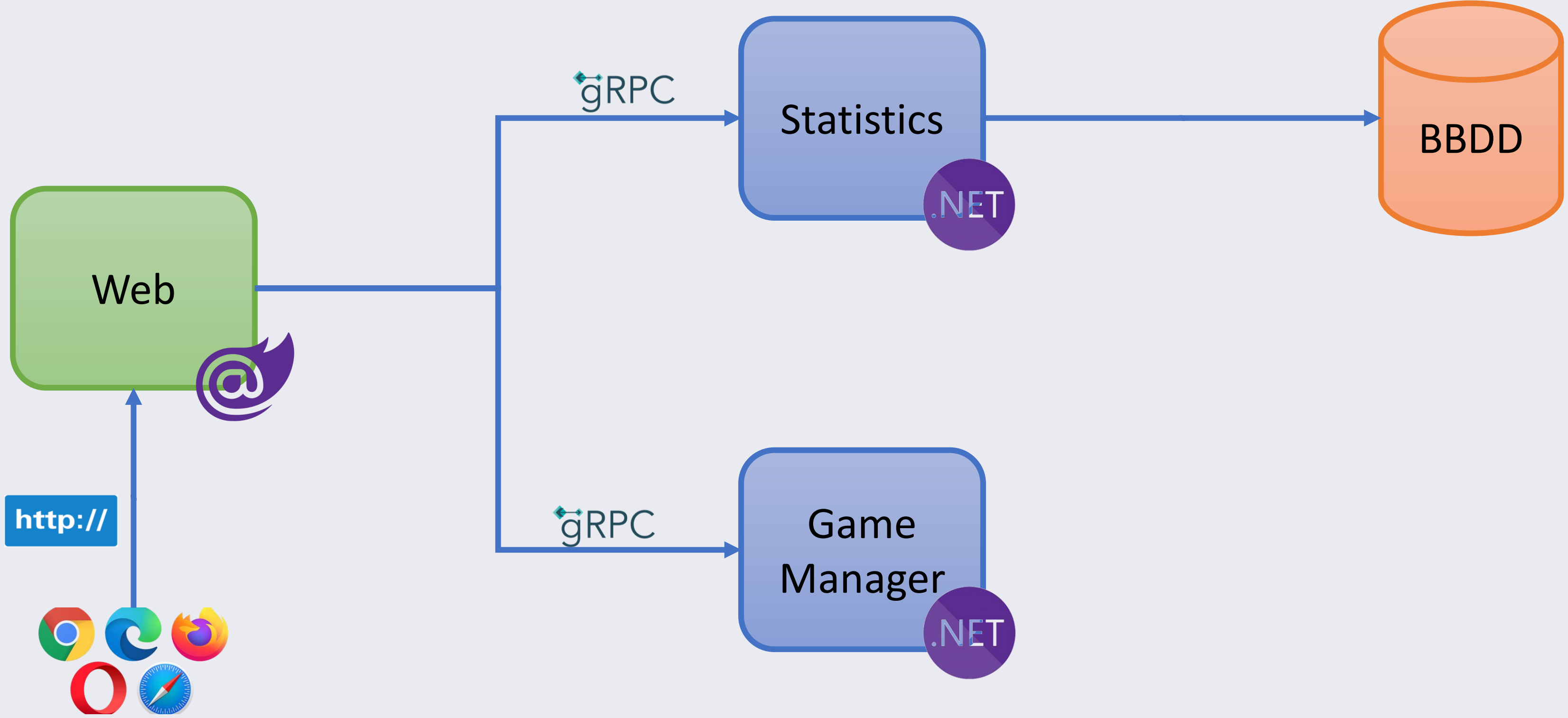
@eiximenis

etomas@plainconcepts.com

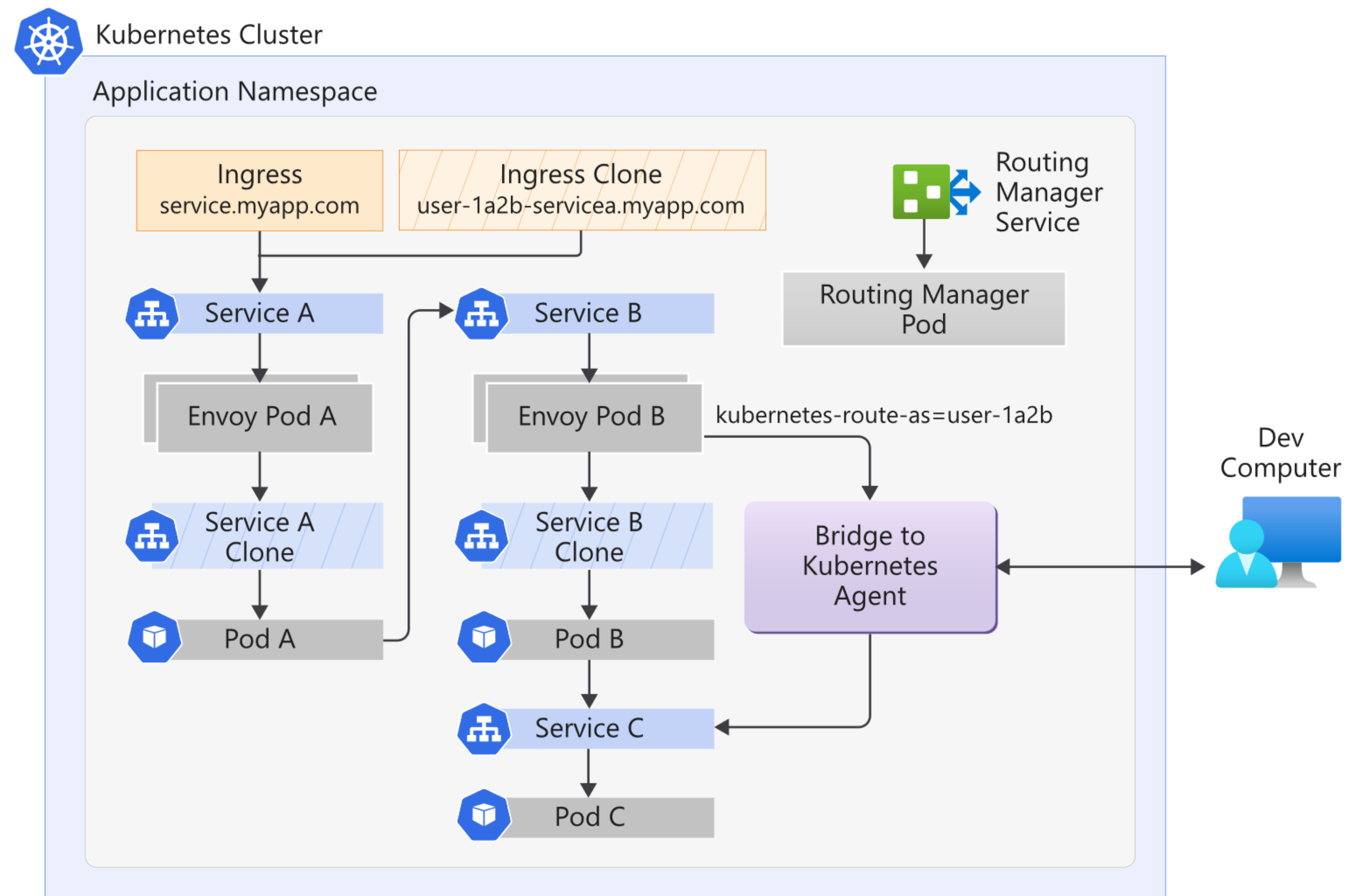
What we will see today?

1. How to debug my microservice without deploying everything
2. How to run locally my microservices without dying
3. Building microservices has never been so easily
4. REST was good, but maybe it's time to try something different
5. If you can't deploy it, you have nothing
6. What the hell is YARP and what we could expect from it

Beer Magic arquitetura



Bridge to Kubernetes



**How to run locally my
microservices without
dying...**

**Welcome to *Project
Tye!***



How to run locally my microservices without dying

Project Tye

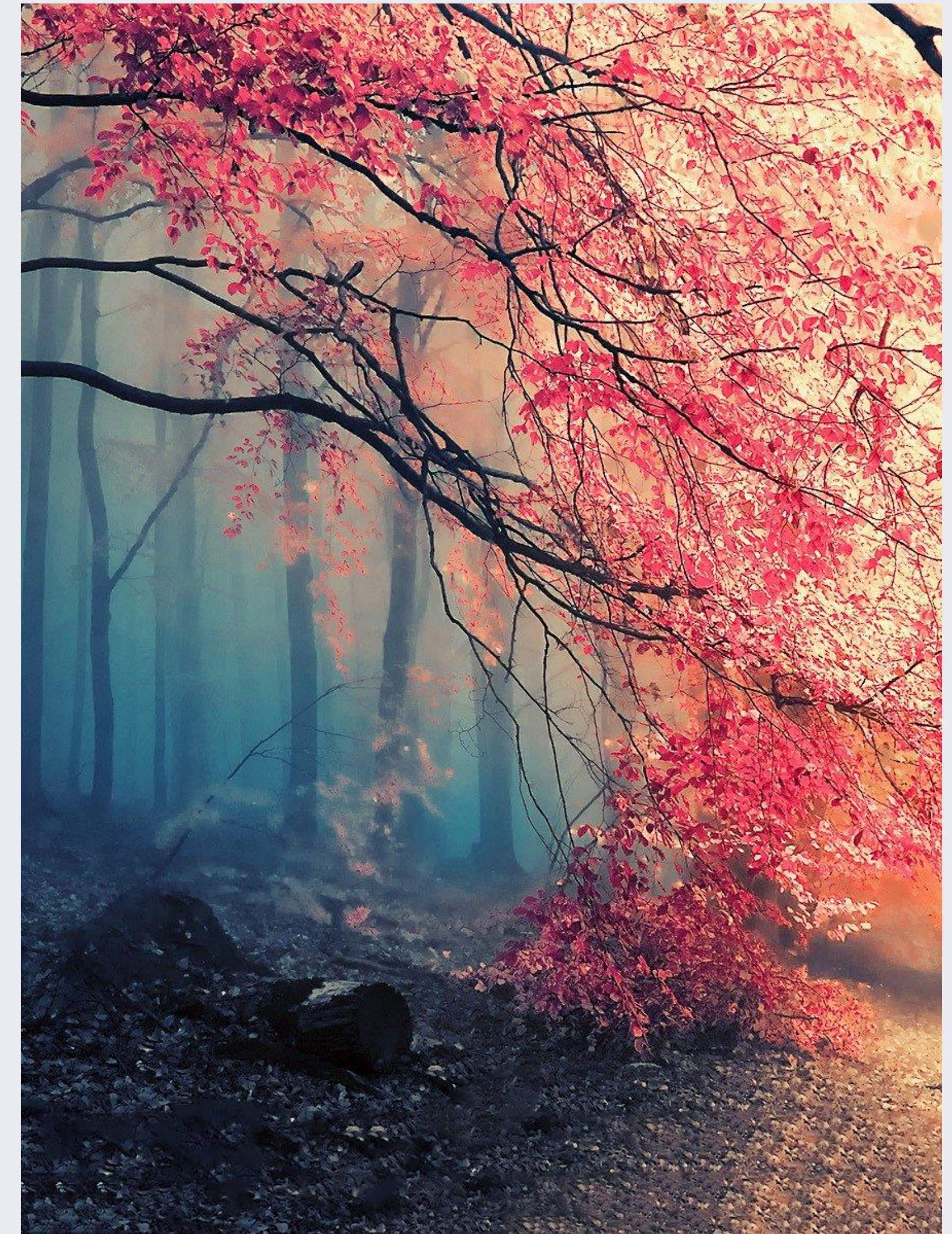
dotnet global tool

Can handle external dependencies (Docker images)

Gives service discovery and port remapping

Handle failures

Collect logs and metrics

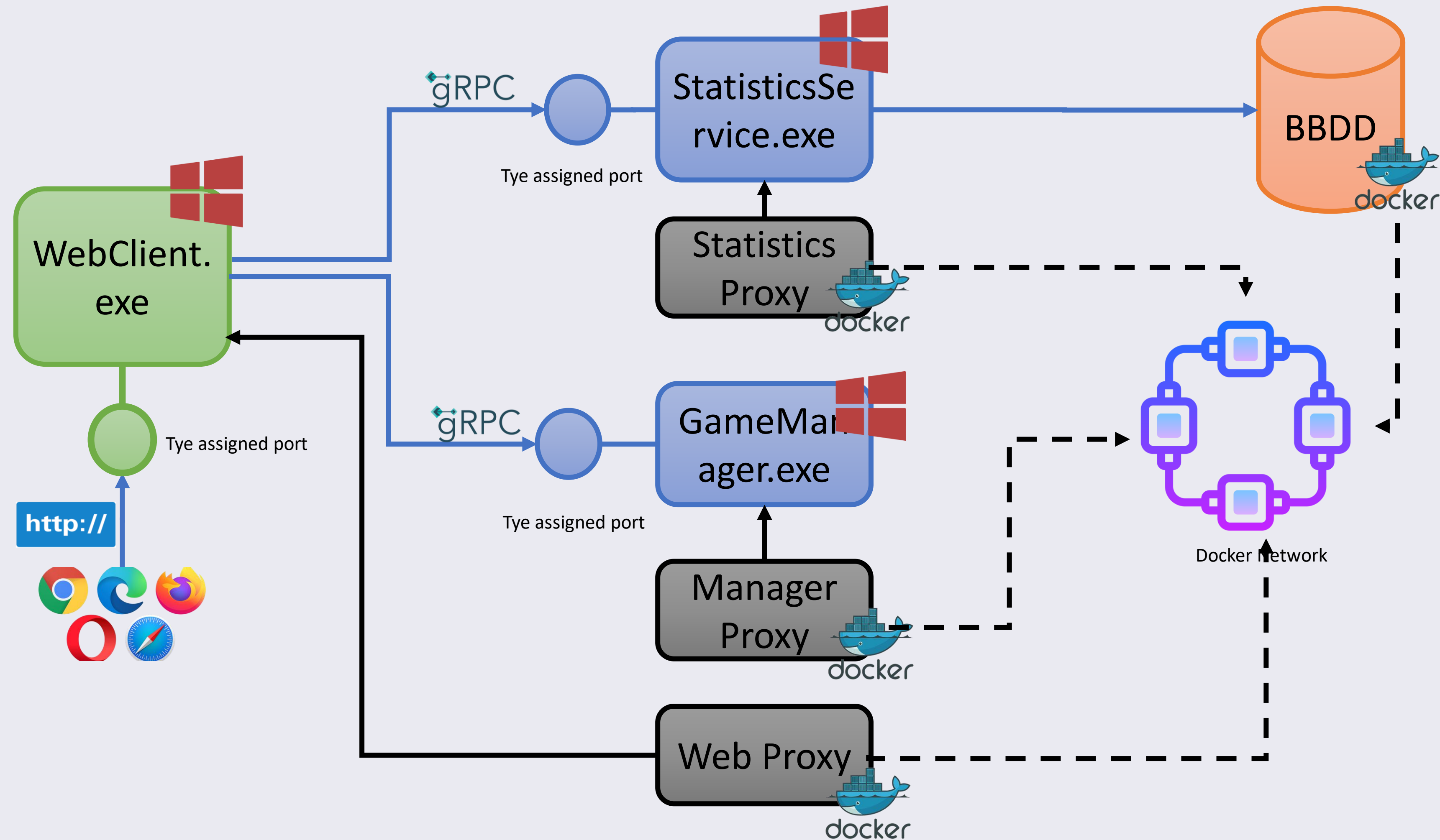




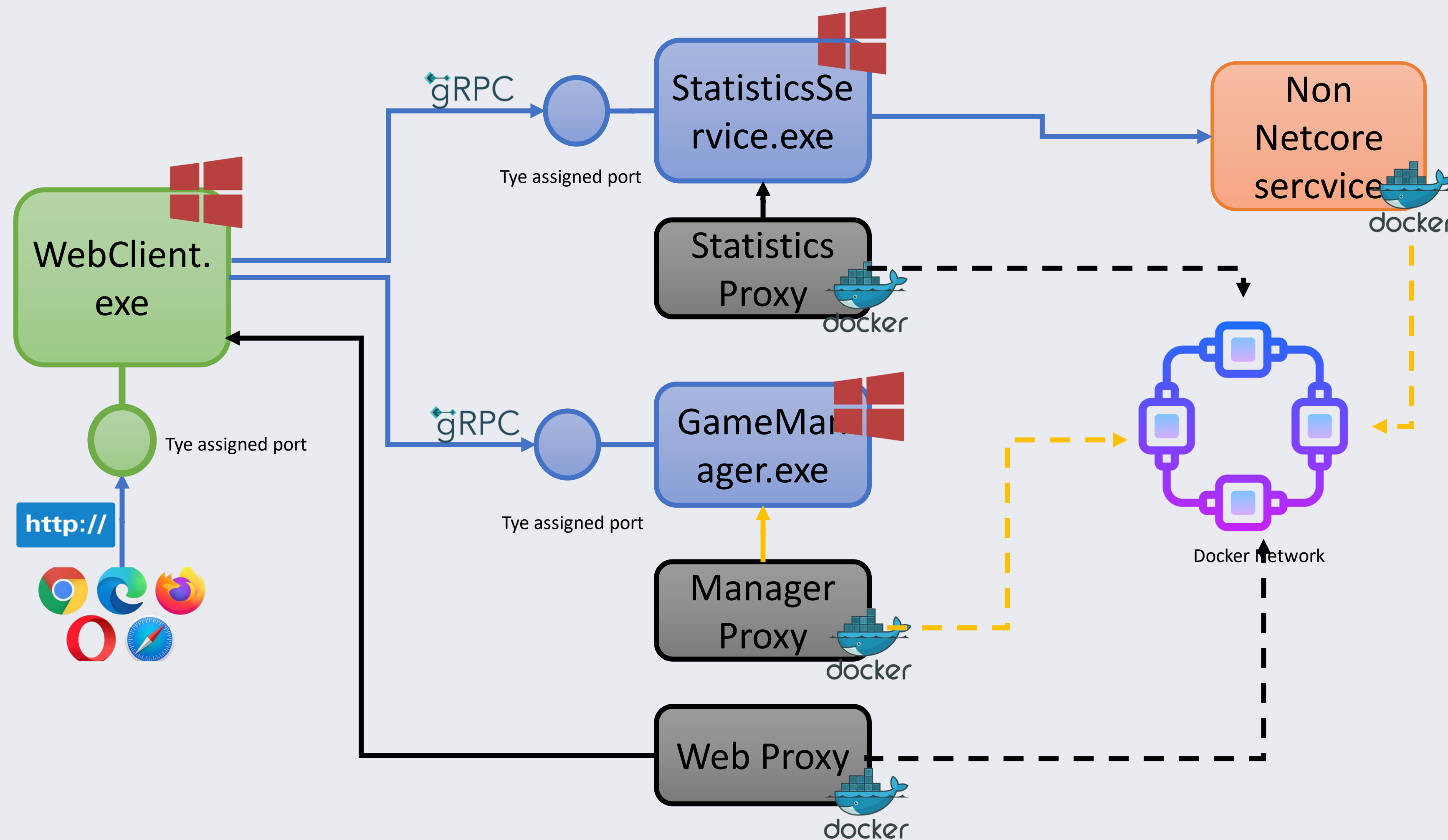
Project tye its like “dotnet run” but for microservices

Someone in some tweet...

Running with Tye



Running with Tye



**Building
microservices has
never been so easily**

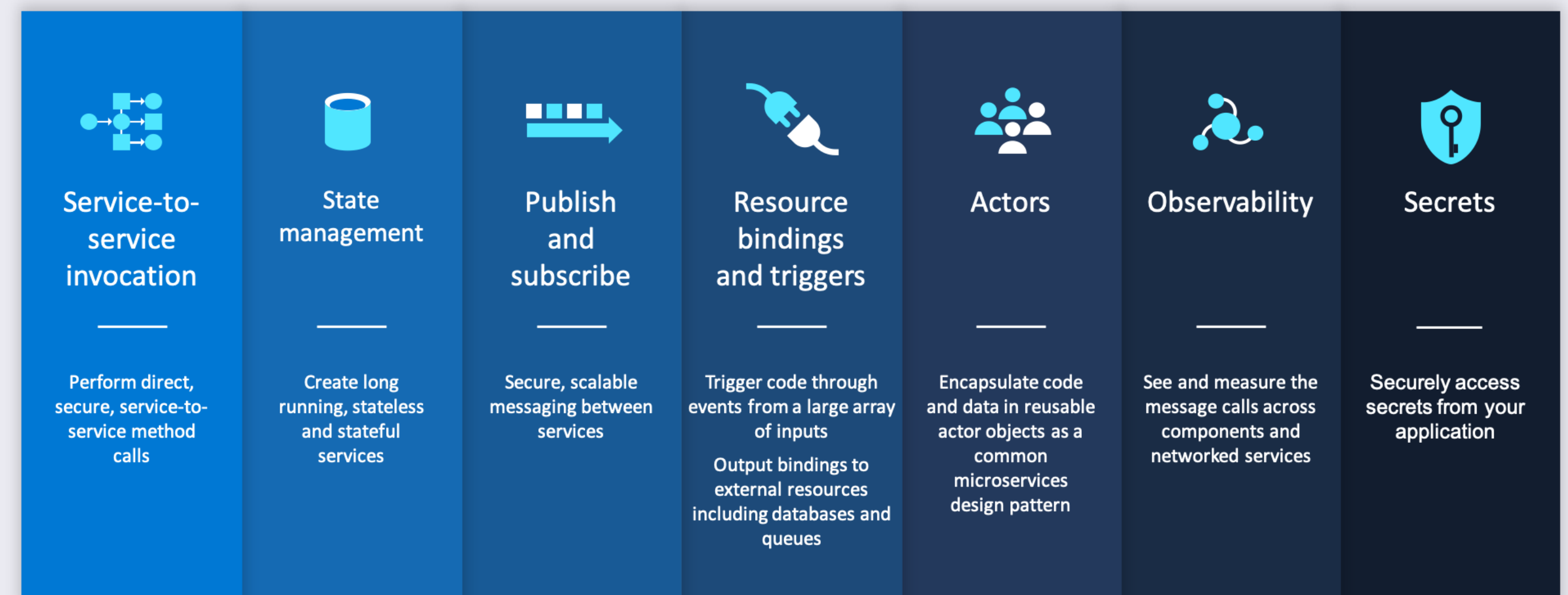
**Do yo know about
Dapr?**



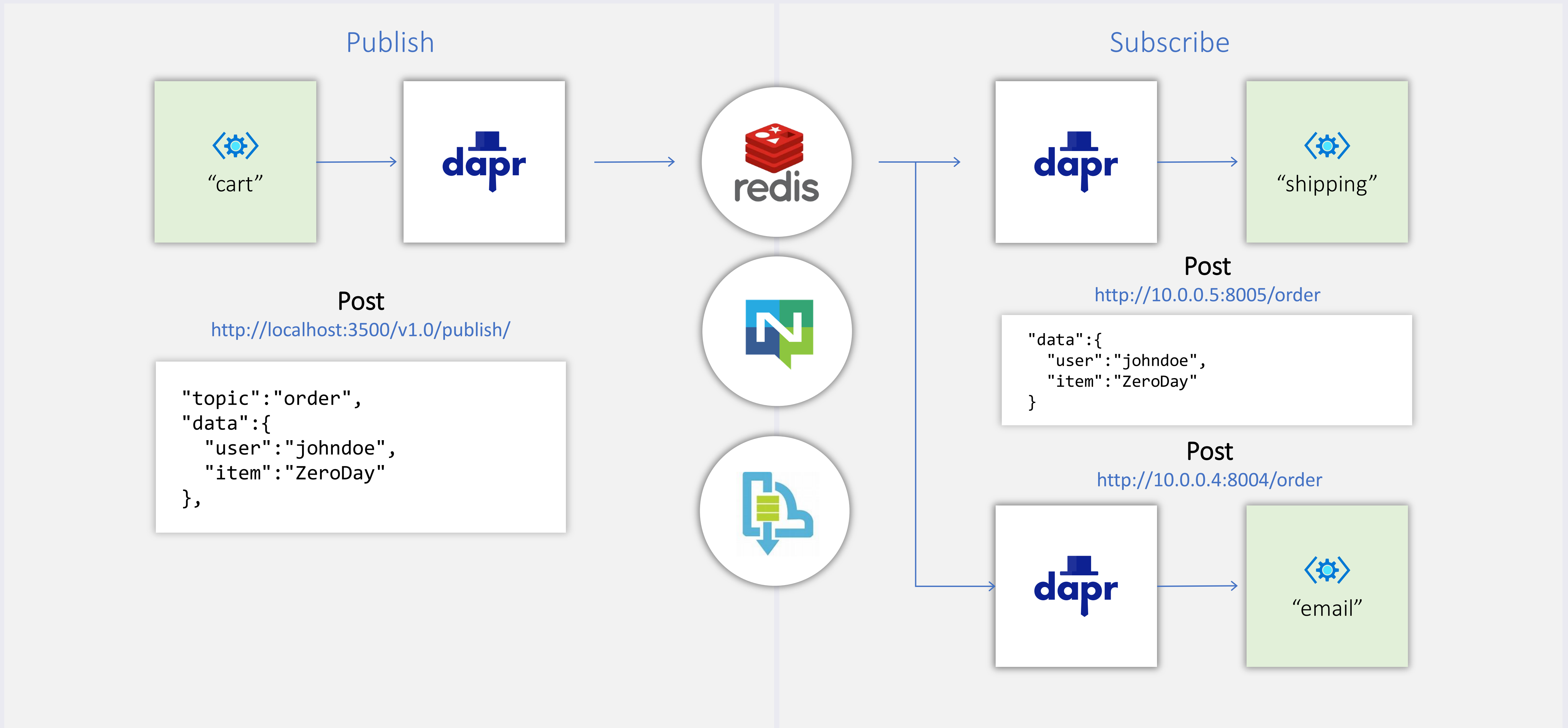
What is Dapr?

A Runtime to make easier build microservices

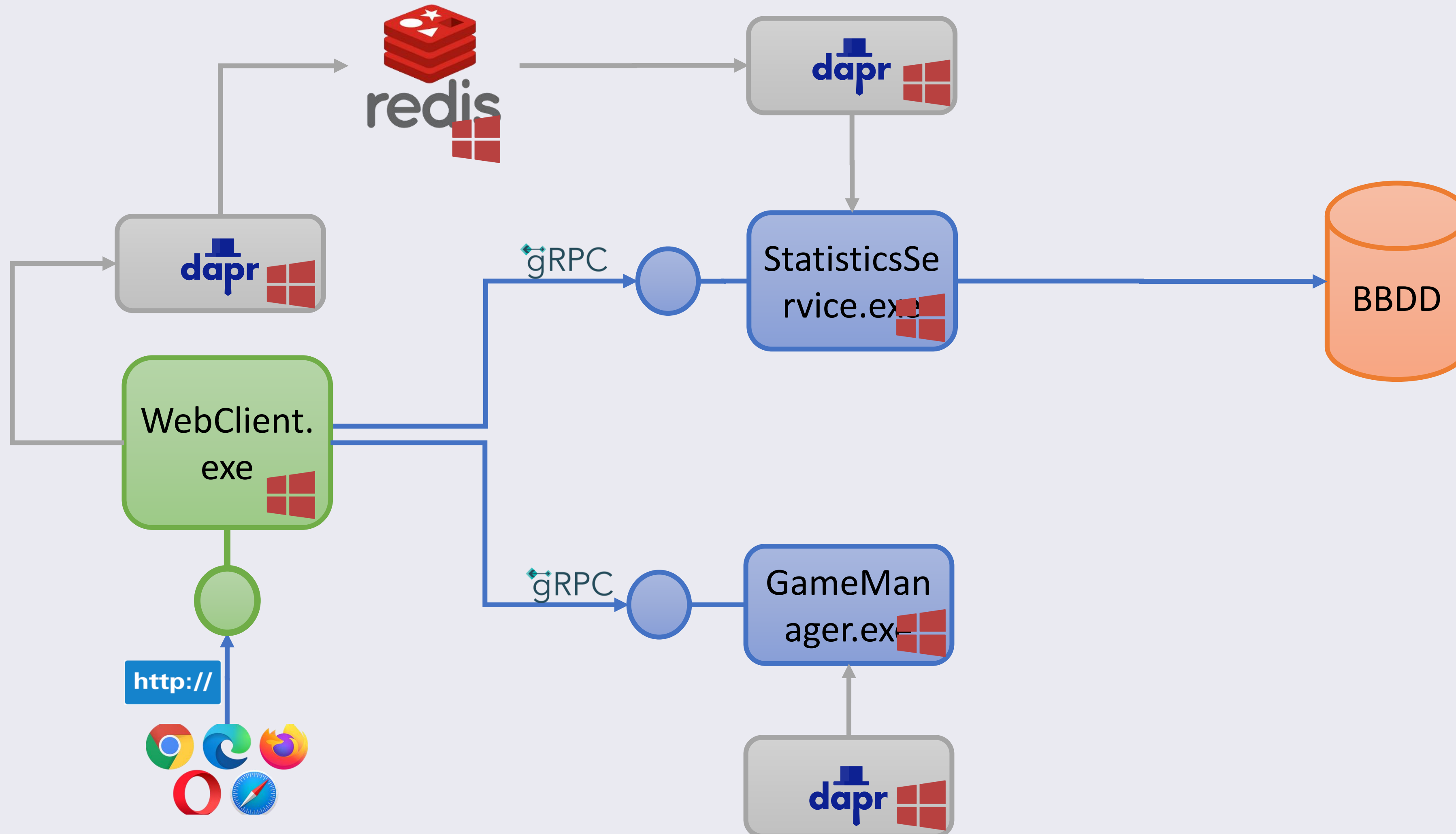
1. Technology agnostic (based on HTTP or gRPC APIs)
2. It's a **runtime** that must be installed alongside the application
3. Leverages the **sidecar pattern**
4. Exposes portable, technology independent, cloud independent and language independent ways to perform a large variety of tasks and patterns



Publish / Subscribe sample



Running with Dapr (local self-hosted)





Dapr is the Swiss knife of Microservices development



Me, right now 😊

**Rest was OK but
maybe it's time to try
something different...**

 gRPC



What is gRPC? Why gRPC?

RPC implementation over HTTP/2 and protobuf

Language agnostic

Small payload (protobuf binary serialization)

Mandatory contract (.proto file)

Streaming support (client, server and bidirectional)

No direct browser support (requires grpc-web)

gRPC and TLS

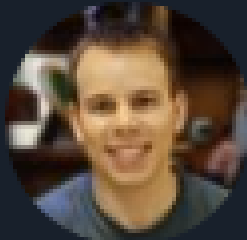
TLS is **not mandatory**, however is highly recommended



Without TLS is **not** possible to serve gRPC clients and HTTP clients through same port, due to lack of ALPN

Without TLS there is no way to promote from HTTP/1 to HTTP/2.

Supporting HTTP/2 requires the use of *prior knowledge*

Netcore gRPC client supports *prior knowledge*, but no browser support it. Other standard http clients may not support it also.



James Newton-King  @JamesNK · 6h 

I wrote a Blazor WebAssembly app that shows the performance benefits of gRPC-Web compared to JSON.

Both are fast with small payloads. With large data sets:

- gRPC network usage is 70% smaller
- gRPC deserialization is 10 times faster

Check it out here: grpcblazorperf.azurewebsites.net

<https://twitter.com/JamesNK/status/1310875638585204738>

YARP

Yet Another Reverse Proxy



YARP... What **really** is?

YARP is a **library** to help building customized reverse proxies easily

In the future will be a single executable too

Using YARP you can create your own ASP.NET Core projects to act as a reverse proxy over other services with little effort

Good for scenarios like custom aggregators

Currently supports request & headers transformations, CORS, Authentication & Authorization, Session Affinity.

Can be configured by code or by a configuration file

Thanks and ...
See you soon!

Thanks also to the sponsors.
Without whom this would not have been possible.

plain concepts 

